

Air Actuated Compact H₂ Valves



Ordering Information
 Typical catalog number:
 15V4MO71-H2-3MNC

- Slow fill processes for compact filling stations
- Hydrogen filling of two-wheelers
- Pressure release of dispenser filling hoses

15 V Valve Series	4M O.D. Tube Size	07 Stem Type	1 Body Pattern	Configuration
15 V	4M – 1/4"	07 – VEE stem	1 – two-way straight	3MNC = Compact air-drive normally closed
15,200 psi (1,050 bar)				3MNO = Compact air-drive normally open

Technical Data and Dimensions

Technical Data

Operating temperature: -40° F / 185° F
 Drive pressure: 58 psi-116 psi (4-8 bar)
 Operating pressure: 15,200 psi (1,050 bar)

Materials

Valve body: 1.4404 (SST 316L)
 Valve stem: 1.4980 (A-286)
 Seal: UHMWPE

Dimensions

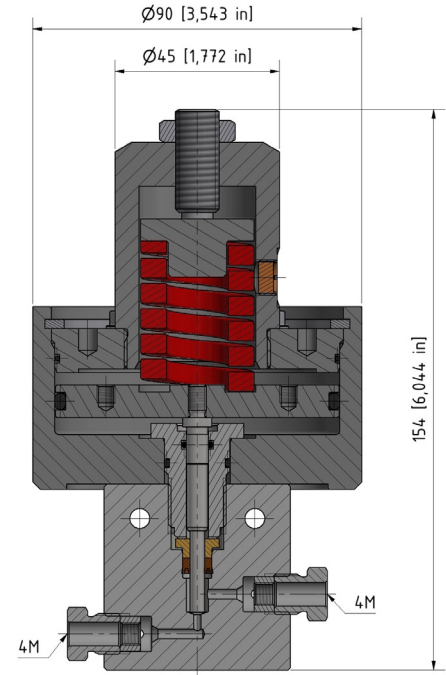
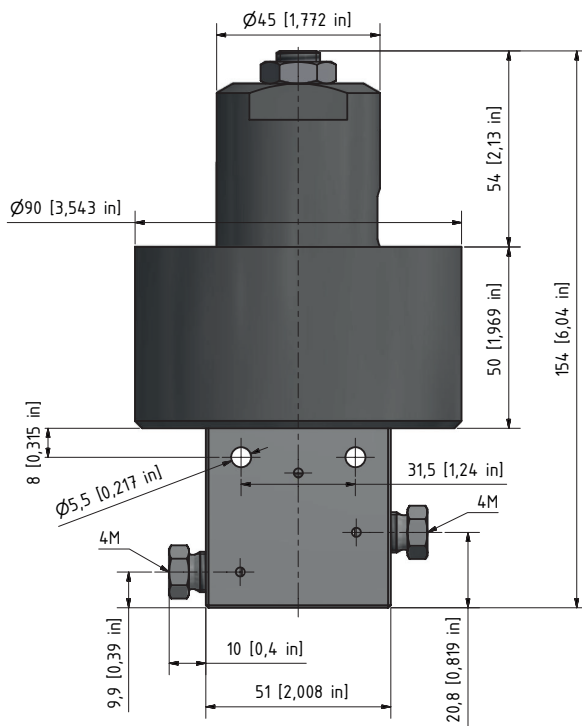
Height: Normally closed: 6.04 in. (154 mm)
 Normally open: 3.917 in. (99.5 mm)
 Diameter: 3.543 in. (90 mm)
 Orifice: 0.78 in. (2.0 mm)



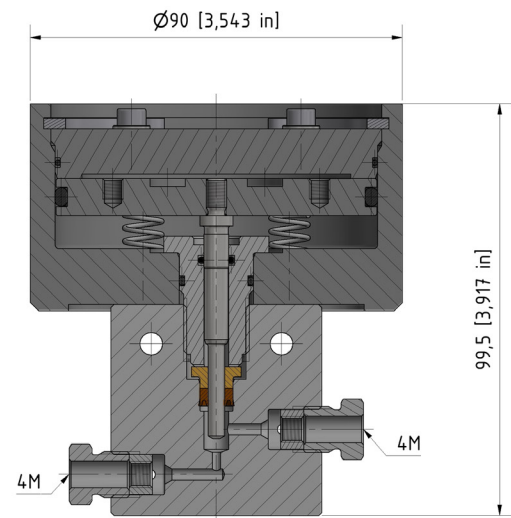
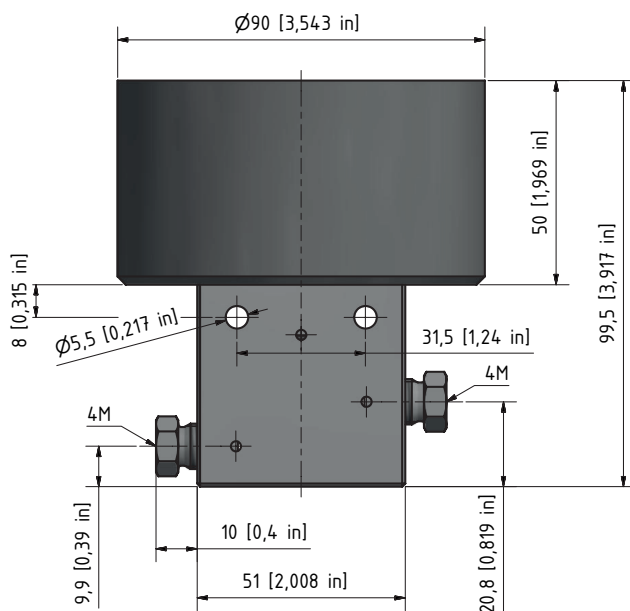
The valves are marked with an EX sign and are in conformity to Group II Category 2G Explosion group IIC constructive safety.

All technical and dimensional information subject to change. All general Terms and Conditions of sale, including limitations of our liability, apply to all products and services sold.

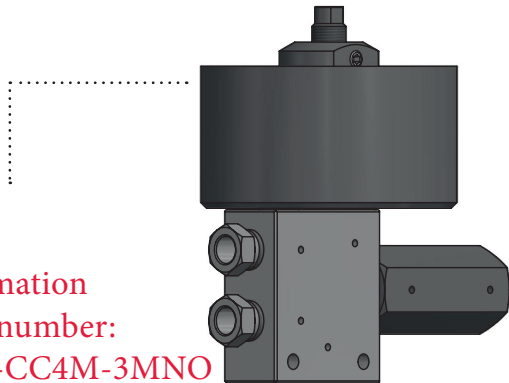
15V4M071-H2-3MNC



15V4M071-H2-3MNO



4-Way Air Actuated H₂ Valves for Dispenser includes Adjustable Stroke and Check Valve



Ordering Information
 Typical catalog number:
 15V6M-H2-AS-CC4M-3MNO

Air Actuated H₂ Valve Manifolds

- Pressure release of dispenser filling hoses
- Adjustable orifice to limit noise emissions
- Compact design with multiple functions integrated

15 V Valve Series	6M O.D. Tube Size	AS Stem Type	Body Pattern	Configuration
15 V	6M – 3/8"	AS – Vee Stem with adjustable stroke	4-way valve	3MNO = Compact air-drive normally open

Characteristics

- Compact integrated design for high leak integrity
- Flow through function to dispenser filling hose
- Double porting on left hand side eliminates need for Tee type fitting
- Normally open valve for pressure release after filling
- Bottom port for optional pressure relief valve or rupture disc
- Adjustable orifice to limit noise emissions during pressure release
- Cone check valve at outlet to avoid contamination from vent line
- Low wear because of optimal choice of materials of construction

Technical Data and Dimensions

Technical Data

Operating temperature: -40° F / 185° F
 Drive pressure: 58 psi-116 psi (4-8 bar)
 Operating pressure: 15,200 psi (1,050 bar)

Materials

Valve body: 1.4404 (SST 316L)
 Valve stem: 1.4980
 Seal needle valve: UHMWPE
 Seal check valve: PEEK

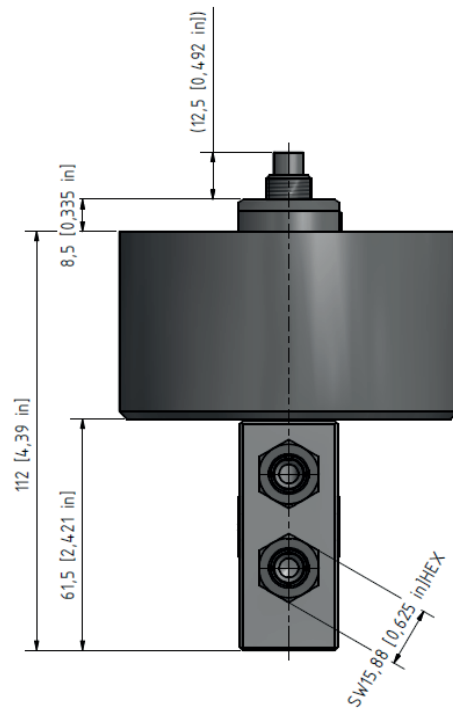
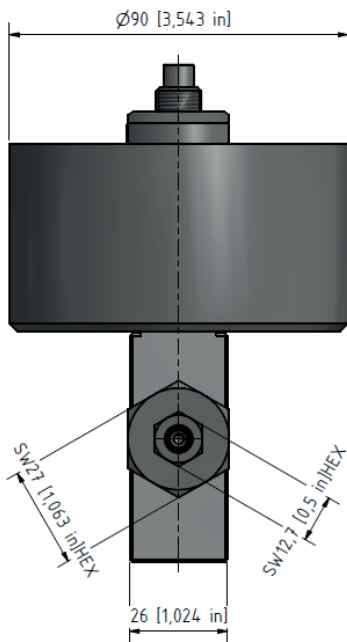
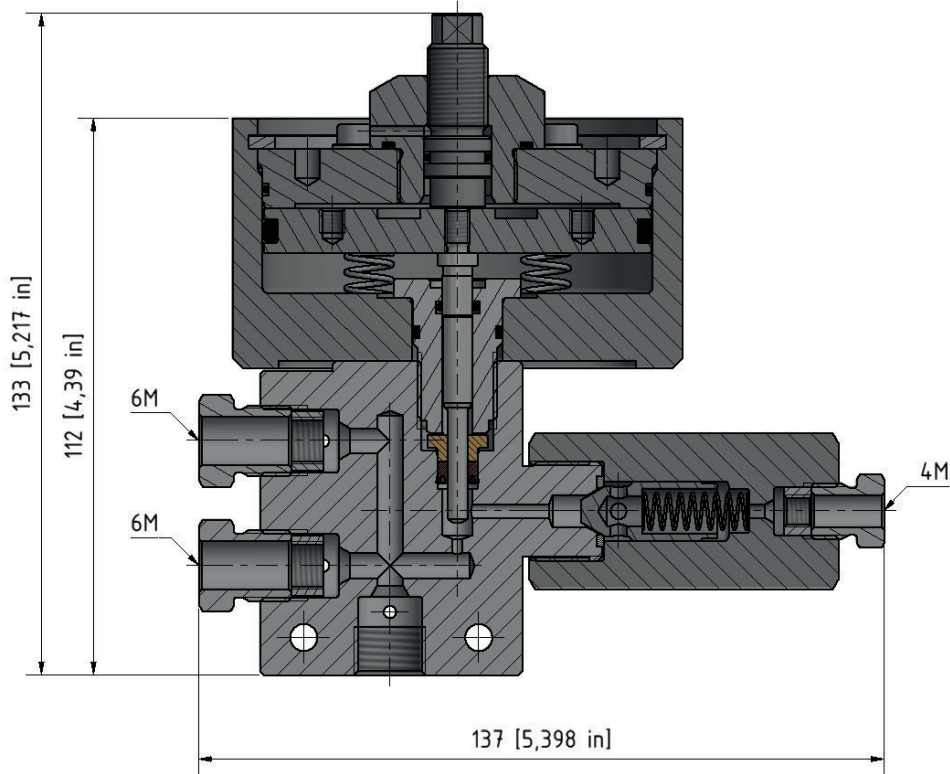
Dimensions

Height: 5.217 in. (133 mm)
 Net weight: 2.9 kg (6.39 lbs)
 Diameter: 3.543 in. (90 mm)
 Orifice: 0.787 in (2.0 mm)
 Actuator: 3MNO



The valves are marked with an EX sign and are in conformity to Group II Category 2G Explosion group IIC constructive safety.

All technical and dimensional information subject to change. All general Terms and Conditions of sale, including limitations of our liability, apply to all products and services sold.

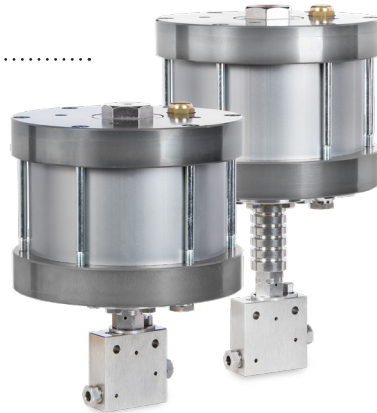


All technical and dimensional information subject to change. All general Terms and Conditions of sale, including limitations of our liability, apply to all products and services sold.

Air Actuated H₂ Valves

- Standard type for hydrogen refilling stations for passenger cars
- Use for shut-off at compressor, distribution at gas storage banks
- Shut-off function for dispenser filling hose

Ordering Information
 Typical catalog number:
 15V4MO71-H2-5MNC



15 V Valve Series	4M O.D. Tube Size	07 Stem Type	1 Body Pattern	Configuration
15 V	4M – 1/4"	07 – VEE stem	1 – two-way straight	5MNC = Air-drive normally closed
	6M – 3/8"		2 – two-way angle	5MNO = Air-drive normally open
				B = Packing for cold applications (-73°)

Technical Data and Dimensions

Technical Data

Operating temperature: -40° F / 185° F (-99.4° F / 185° F *)
 Drive pressure: 73 psi-145 psi (5-10 bar)
 Operating pressure: 15,200 psi (1,050 bar)

Materials

Valve body: 1.4404 (SST 316L)
 Valve stem: 1.4980 (A-286)
 Seal: UHMWPE

Dimensions

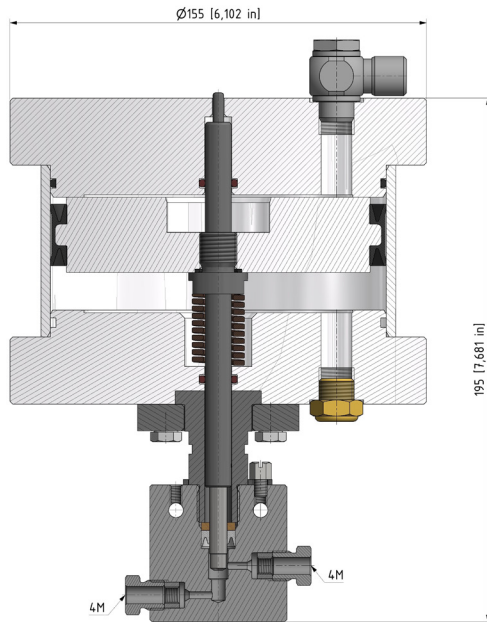
Height: 195 mm (7.67 in) & 245 mm (9.64 in*)
 Net weight: 5.6 kg (12.34 lbs)
 Diameter: 155 mm (6.1 in)
 Orifice: 4M: 2.7 mm (0.106in)
 6M: 5.1 mm (0.200 in)

* B-Type with extended connection for low temperature applications

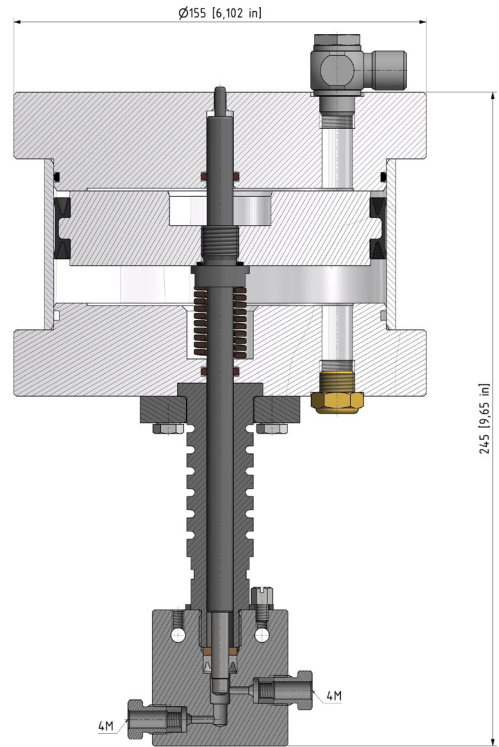


The valves are marked with an EX sign and are in conformity to Group II Category 2G Explosion group IIC constructive safety.

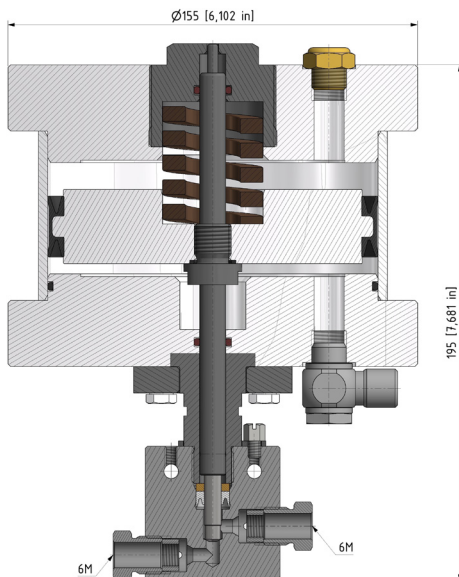
15V4M071-H2-5MNO



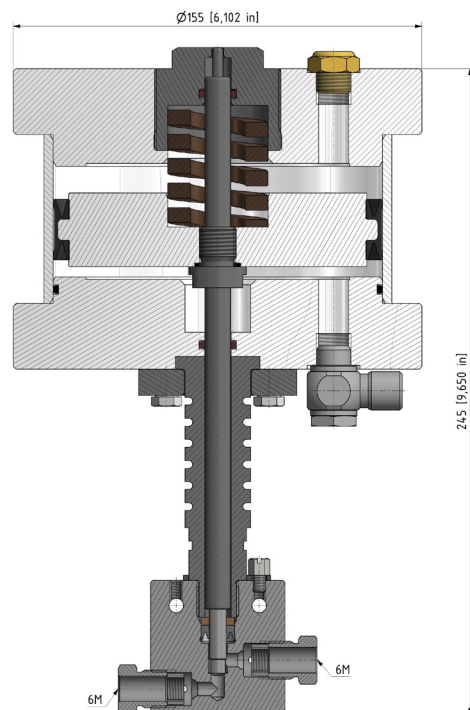
15V4M071-B-H2-5MNO



15V6M071-H2-5MNC



15V6M071-B-H2-5MNC



All technical and dimensional information subject to change. All general Terms and Conditions of sale, including limitations of our liability, apply to all products and services sold.

Air Actuated H₂ Valves

Air Actuated High Flow Valves

- Standard type for hydrogen refilling stations for buses, trucks and trains
- Use for shut-off at compressor, distribution at gas storage banks
- Shut-off function for dispenser filling hose



Ordering Information
 Typical catalog number:
 15V9MO71-H2-8MNC

15 V Valve Series	9M O.D. Tube Size	07 Stem Type	1 Body Pattern	Configuration
15 V	9M – 9/16"	07 – VEE stem	1 – two-way straight	8MNC = Air-drive normally closed
			2 – two-way angle	

Technical Data and Dimensions

Technical Data

Operating temperature: -40° F / 185° F
 Drive pressure: 73 psi-145 psi (5-10 bar)
 Operating pressure: 15,200 psi (1,050 bar)

Materials

Valve body: 1.4404 (SST 316L)
 Valve stem: 1.4980 (A-286)
 Seal: UHMWPE

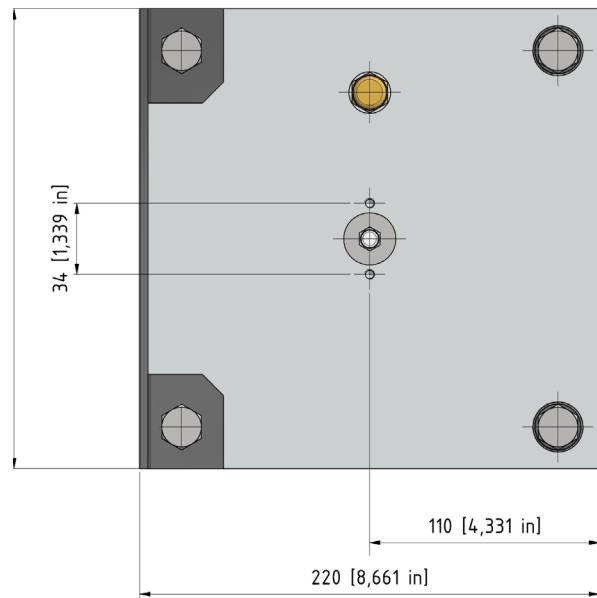
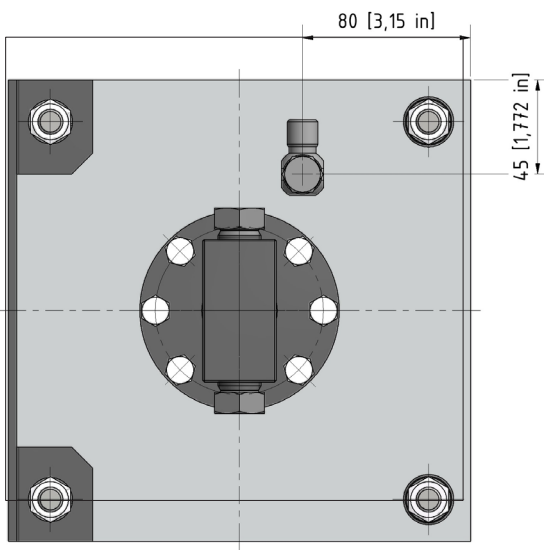
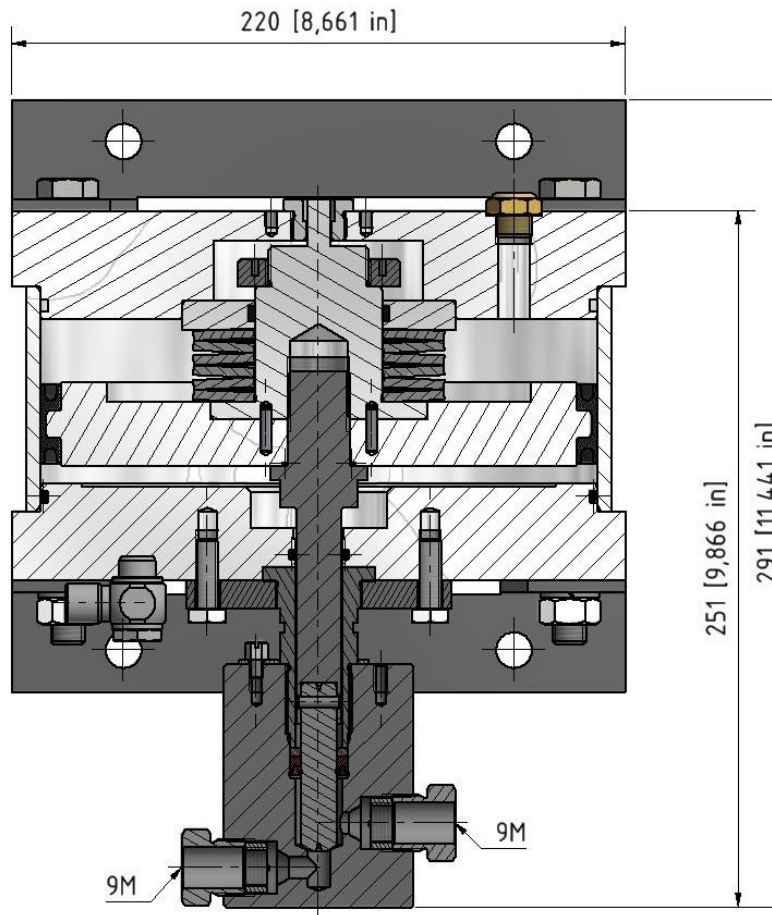
Dimensions

Height: 291 mm (11.45 in)
 Net weight: 16.8 kg (37 lbs)
 Width: 220 mm x 220 mm (8.66 in x 8.66 in)
 Orifice: 7.8 mm (0.307 in)
 Actuator: 8MNC



The valves are marked with an EX sign and are in conformity to Group II Category 2G Explosion group IIC constructive safety.

All technical and dimensional information subject to change. All general Terms and Conditions of sale, including limitations of our liability, apply to all products and services sold.



All technical and dimensional information subject to change. All general Terms and Conditions of sale, including limitations of our liability, apply to all products and services sold.

Air Actuated H₂ Valves

Air Actuated High Flow Valves

- Standard type for hydrogen refilling stations for buses, trucks and trains
- Use for shut-off at compressor, distribution at gas storage banks
- Shut-off function for dispenser filling hose



Ordering Information
 Typical catalog number:
 15V12MO71-H2-8MNC

15 V Valve Series	12M O.D. Tube Size	07 Stem Type	1 Body Pattern	Configuration
15 V	12M – 3/4"	07 – VEE stem	1 – two-way straight	8MNC = Air-drive normally closed
			2 – two-way angle	

Technical Data and Dimensions

Technical Data

Operating temperature: -40° F / 185° F
 Drive pressure: 102 psi-145 psi (7-10 bar)
 Operating pressure: 15,200 psi (1,050 bar)

Materials

Valve body: 1.4404 (SST 316L)
 Valve stem: 1.4980 (A-286)
 Seal: UHMWPE

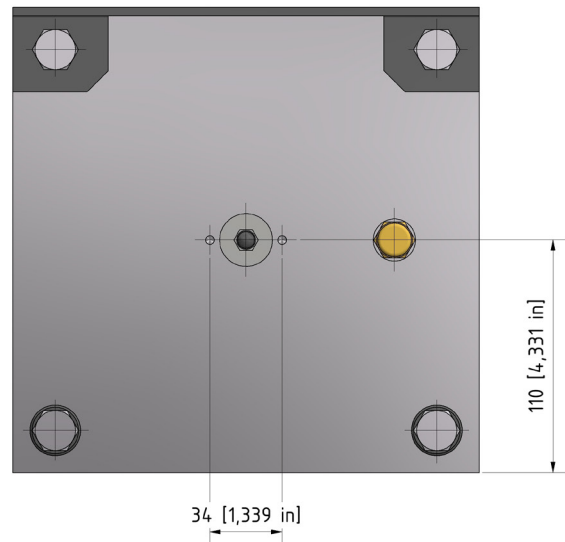
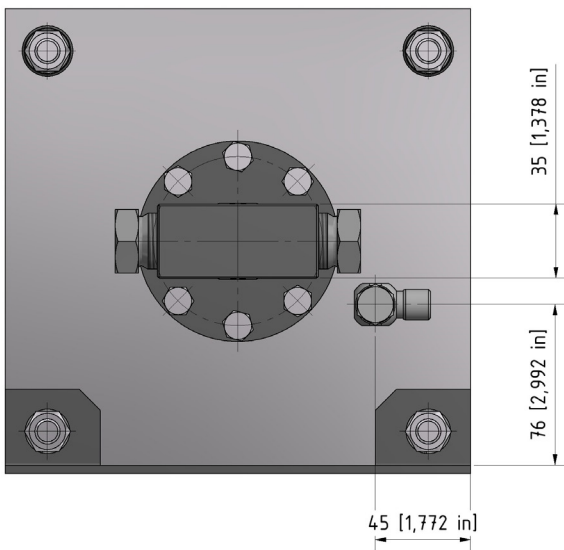
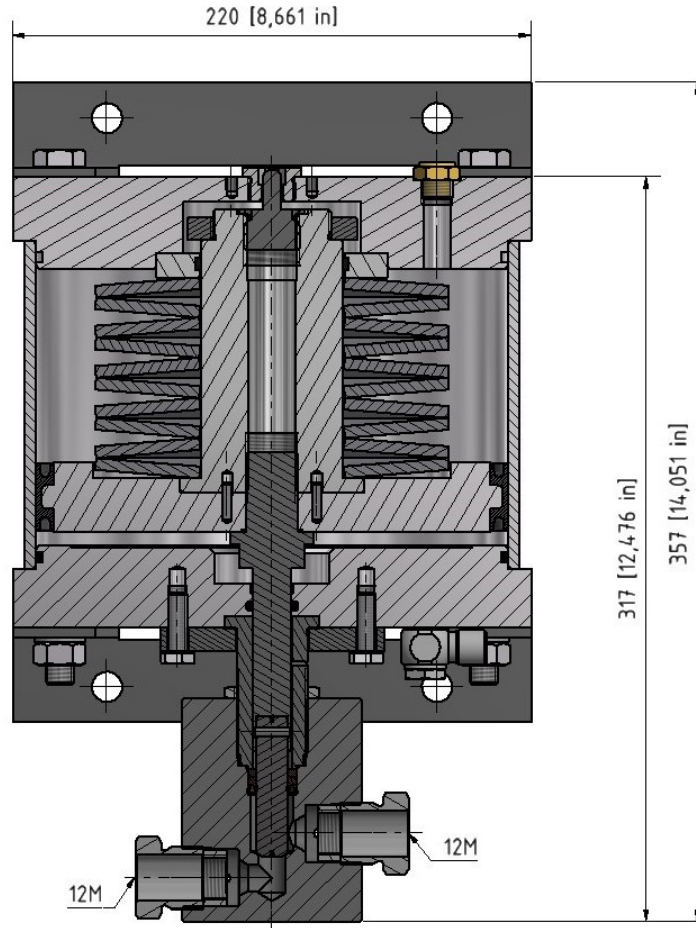
Dimensions

Height: 357 mm (14 in)
 Net weight: 24.4 kg (53.79 lbs)
 Width: 220 mm x 220 mm (8.66 in x 8.66 in)
 Orifice: 11.1 mm (0.43 in)
 Actuator: 8MNC



The valves are marked with an EX sign and are in conformity to Group II Category 2G Explosion group IIC constructive safety.

All technical and dimensional information subject to change. All general Terms and Conditions of sale, including limitations of our liability, apply to all products and services sold.

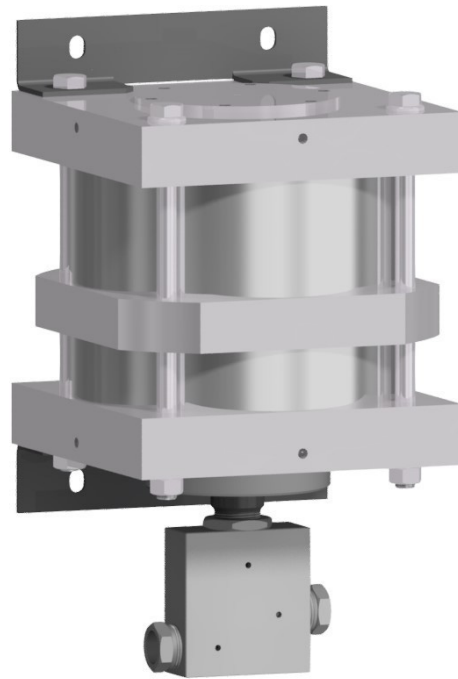


All technical and dimensional information subject to change. All general Terms and Conditions of sale, including limitations of our liability, apply to all products and services sold.

Air Actuated H₂ Valves

Air Actuated High Flow Valves

- Standard type for hydrogen refilling stations for buses, trucks and trains
- Use for shut-off at compressor, distribution at gas storage banks
- Shut-off function for dispenser filling hose



Ordering Information
 Typical catalog number:
 15V16M071-H2-10HNC

15 V Valve Series	12M O.D. Tube Size	07 Stem Type	1 Body Pattern	Configuration
15 V	16M – 1”	07 – VEE stem	1 – two-way straight	10HNC = Air drive normally closed
			2 – two-way angle	

Technical Data and Dimensions

Technical Data

Operating temperature: -40°F / 185°F
 Drive pressure: 73 psi-116 psi (5 bar-8 bar)
 Operating pressure: 15200 psi (1050 bar)

Materials

Valve body: 1.4404 (SST 316L)
 Valve stem: 1.4980 (A-286)
 Seal: UHMWPE

Dimensions

Height: 503 mm (19.80 in)
 Net weight: 57.9 kg (127.64 lbs)
 Width: 270 mm x 270 mm (10.62 in x 10.62 in)
 Orifice: 14.3 mm (0.56 in)
 Actuator: 10HNC



The valves are marked with an EX sign and are in conformity to Group II Category 2G Explosion group IIC constructive safety.

All technical and dimensional information subject to change. All general Terms and Conditions of sale, including limitations of our liability, apply to all products and services sold.

