

Cryogenic Valves

Temperatures to -423 °F



MAXIMATOR Low Temperature Valves with metal to metal seats have a high level of safety and reliability under adverse operating conditions. These valves may be used both with gases and liquids.

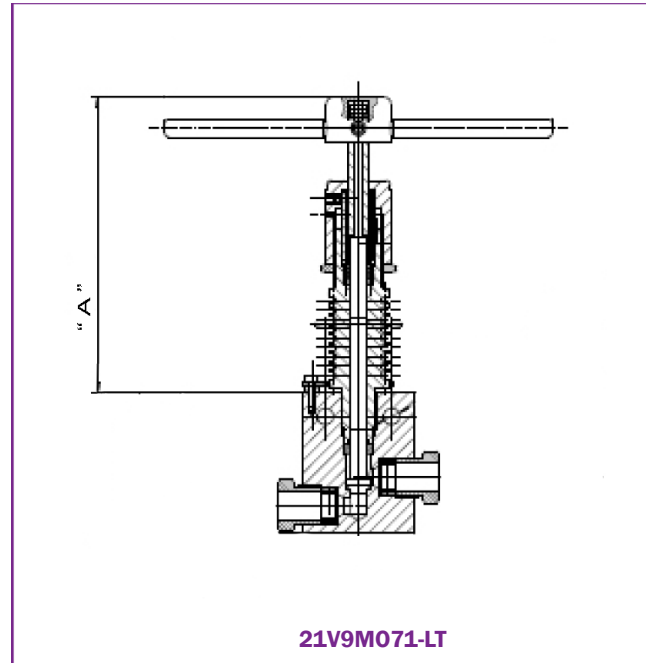
Traceability is ensured through extensively documented data (batch number, maximum pressure, material number, type designation). All valves include glands and collars.

Ordering Information

Typical catalog number: **21V4M071-LT**

21V	4M	07	1	-LT
Valve Series	O.D. Tube Size	Stem Type	Body Pattern	Option
21V	4M - 1/4"	07 - VEE stem	1 - two-way straight	LT - Low Temperature option with extended stuffing box
	6M - 3/8"	08 - REGULATING stem (tapered tip for regulating and shutoff)	2 - two-way angle	
	9M - 9/16"	87 - VEE stem with replaceable seat	3 - three-way, two on pressure	
	12M - 3/4"		4 - three-way, one on pressure	
16M - 1"	88 - REGULATING stem with replaceable seat	5 - three-way, two-stem manifold		
36V or 65V		4H - 1/4"		
		6H - 3/8"		
	9H - 9/16"			

Ordering numbers for all valves can be found in our catalog or on our website, www.maxprotech.com. Add the suffix -LT to the part number to choose the valves created to combat harsh, low temperature environments.



See Page 5 (HT Valves) for measurements on all sizes of this valve series.

Temperature Ranges

The Low Temperature Valves contain an extended stuffing box with Teflon packing and cryogenic trim material for line temperatures to -423 °F. The extended packing area is raised away from the pressure stream and is limited to -100° F. The Low Temperature Valves are recommended for vertical installation only.

Repair Kits

Consult your **MAXPRO** representative for repair kits and valve bodies. Refer to the Tools and Installation section for proper maintenance procedures.