



Ordering Information
 Typical catalog number:
 21DBBNV4M4P

Double Block and Bleed Needle Valves

Maximator Series DBBNV Double Block and Bleed Needle Valves with metal to metal seats have a high level of safety and reliability under adverse operating conditions. Double Block and Bleed Needle Valves are three stem manifold valves designed for blocking and bleeding in test and pressure monitoring applications as well as for chemical injection or drain line isolation up to 22,500 psi (1,550 bar).

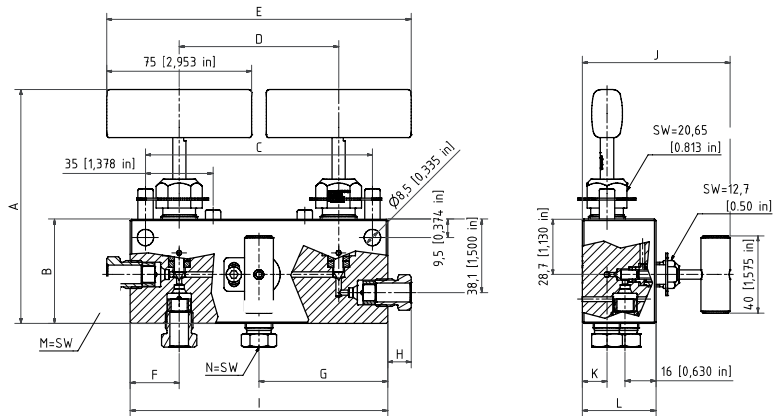
Due to the standard valve packing and Vee stem design, Maximator double block and bleed needle valves are very compact and easy to use. In addition, manifold style valves reduce the number of fittings and space required for installation.

» Materials:

Valve body: 1.4404 (SST 316L)

Valve stem: 1.4542 (17-4PH)

21 DBBNV Valve Series	4M Connection	4P Vent Connection
21 DBBNV	4M – 1/4"	4P – 1/4" NPT
	6M – 3/8"	6P – 3/8" NPT
	9M – 9/16"	8P – 1/2" NPT
	9H – 9/16"	4M – 1/4"



Catalog Number	Stem Type	O.D. Tube in.	Orifice in. (mm)	Dimensions in. (mm)													
				A	B	C	D	E	F	G	H	I	J	K	L	M	N
21DBBNV4M	Vee	1/4	0.11 (2.7)	4.882 (124)	2.13 (54.1)	4.63 (117.6)	3.252 (82.6)	6.205 (157.6)	1.00 (25.4)	2.626 (66.7)	0.378 (9.6)	5.252 (133.4)	3.012 (76.5)	0.50 (12.7)	1.50 (38.1)	0.50 (12.7)	0.50 (12.7)
21DBBNV4M4P	Vee	1/4	0.11 (2.7)	4.882 (124)	2.13 (54.1)	4.63 (117.6)	3.252 (82.6)	6.205 (157.6)	1.00 (25.4)	2.626 (66.7)	0.378 (9.6)	5.252 (133.4)	3.012 (76.5)	0.50 (12.7)	1.50 (38.1)	0.50 (12.7)	
21DBBNV6M	Vee	3/8	0.11 (2.7)	4.776 (121.3)	2.13 (54.1)	4.63 (117.6)	3.252 (82.6)	6.205 (157.6)	1.00 (25.4)	2.626 (66.7)	0.48 (12.2)	5.252 (133.4)	3.012 (76.5)	0.50 (12.7)	1.50 (38.1)	0.625 (15.88)	0.625 (15.88)
21DBBNV6M6P	Vee	3/8	0.11 (2.7)	4.776 (121.3)	2.13 (54.1)	4.63 (117.6)	3.252 (82.6)	6.205 (157.6)	1.00 (25.4)	2.626 (66.7)	0.48 (12.2)	5.252 (133.4)	3.012 (76.5)	0.50 (12.7)	1.50 (38.1)	0.625 (15.88)	
21DBBNV9M	Vee	9/16	0.11 (2.7)	5.646 (143.4)	3.00 (76.2)	4.638 (117.8)	3.26 (82.8)	6.213 (157.8)	1.311 (33.3)	2.941 (74.7)	0.63 (16)	5.882 (149.4)	3.283 (83.4)	0.752 (19.1)	1.772 (45)	0.937 (23.8)	0.937 (23.8)
21DBBNV9M8P	Vee	9/16	0.11 (2.7)	5.646 (143.4)	3.00 (76.2)	4.638 (117.8)	3.26 (82.8)	6.213 (157.8)	1.311 (33.3)	2.941 (74.7)	0.63 (16)	5.882 (149.4)	3.283 (83.4)	0.752 (19.1)	1.772 (45)	0.937 (23.8)	
21DBBNV9H4M	Vee	9/16	0.11 (2.7)	5.646 (143.4)	3.00 (76.2)	4.638 (117.8)	3.26 (82.8)	6.213 (157.8)	1.311 (33.3)	2.941 (74.7)	0.941 (23.9)	5.882 (149.4)	3.283 (83.4)	0.752 (19.1)	1.772 (45)	1.187 (30.16)	0.50 (12.7)

Panel mounting screw thread size 10-24 UNC (screw included).

A - Stem in closed position.

All dimensions are for reference only and are subject to change.

All technical and dimensional information subject to change. All general Terms and Conditions of sale, including limitations of our liability, apply to all products and services sold.